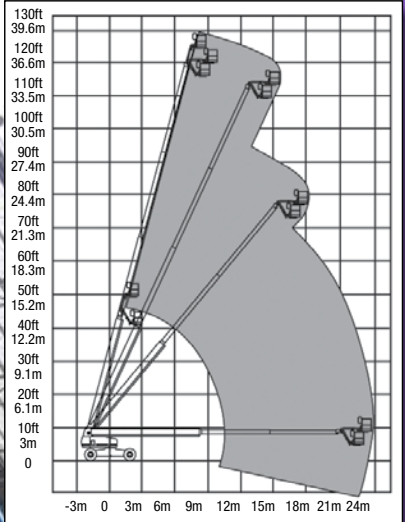


SUPER BOOM



Genie S-125

GENIE S-125

Specification	Metric	Imperial
Working Height	40.13m	131ft 8in
Platform Height	38.15m	125ft 2in
Max Outreach	24.38m	80ft
Safe Working Load (SWL)	227kg	500lb
Length (Stowed)	14.25m	46ft 9in
Width Axles (Extended)	3.35m	11ft
Width Axles (Retracted)	2.49m	8ft 2in
Height (Stowed)	3.07m	10ft 1in
Weight	20,911kg	46,109lb
Power Source	Diesel	
Gradeability	22°	



IDEAL FOR

- Stadiums
- Power plants
- Bridges
- High buildings