

Spider FS 290

Class 29m-33m



LIGHTEST
IN CLASS



NARROWEST
IN CLASS

CASE STUDY

Nature of job:

Cabling in an office block

Reason for choosing this Spider Lift:

Good outreach, wheeled, narrow access

A security company needed to carry out routine checks to cabling in a large office block on lightweight floors with basements underneath.



The FS 290, the narrowest in its class at 0.79m, fitted through the narrow doorway.



The articulated double jib allowed the security company to reach across a set of escalators. With a weight of 3,500kg, the company could carry out their work safely and in compliance with the floor's weight restrictions using the FS 290.



Non-marking tyres

Variable jacking

KEY FEATURES

- Variable jacking:** Allows the machine to be set up in a small enclosed area.
- Adjustable double jib:** Allows additional 6m reach and the operator can go under, over and between obstacles.
- Outreach:** As a telescopic boom this machine has an extensive outreach.
- Non-marking tyres:** Rubber-free tyres for indoor use.

setup time
9:00 engine

WORKING HEIGHT	29.00m
WEIGHT	3,500kg
OUTREACH	14.00m
LENGTH	6.30m
WIDTH	0.79m



SPECIFICATIONS

Specification		Metric	Imperial
Working Height		29.00m	95ft 2in
Platform Height		27.20m	89ft 4in
Working Outreach		13.00m-14.00m	42ft 8in-45ft 11in
Slew		380°	-
Width	Travelling	0.79m	2ft 7in
	Max. Working	5.40m	17ft 9in
	Min. Working	3.60m	11ft 10in
Length	Travelling	6.30m	20ft 8in
	Max. Outrigger	5.40m	17ft 9in
	Min. Outrigger	3.60m	11ft 10in
Height		1.98m	6ft 6in
Minimum Weight		3,500kg	7,718lb
Platform Capacity		200kg	440lb
Platform Size		1.4m x 0.8m x 1.1m	55in x 31in x 43in
Outrigger Plate		0.32m x 0.25m	13in x 10in
Drive Speed		1.5kph	0.9mph
Gradeability		9% (5°)	-
No. Outrigger Positions		3	-

FLOOR LOADINGS

Surface	Metric	Imperial
Max. Load per Outrigger	1,937kgf	4,271lbf
Front Wheel Surface Pressure	6.64kg/cm ²	13,600lb/ft ²
Rear Wheel Surface Pressure	8.2kg/cm ²	16,795lb/ft ²
Max. Surface Pressure on each Outrigger	2.4kg/cm ²	4,916lb/ft ²

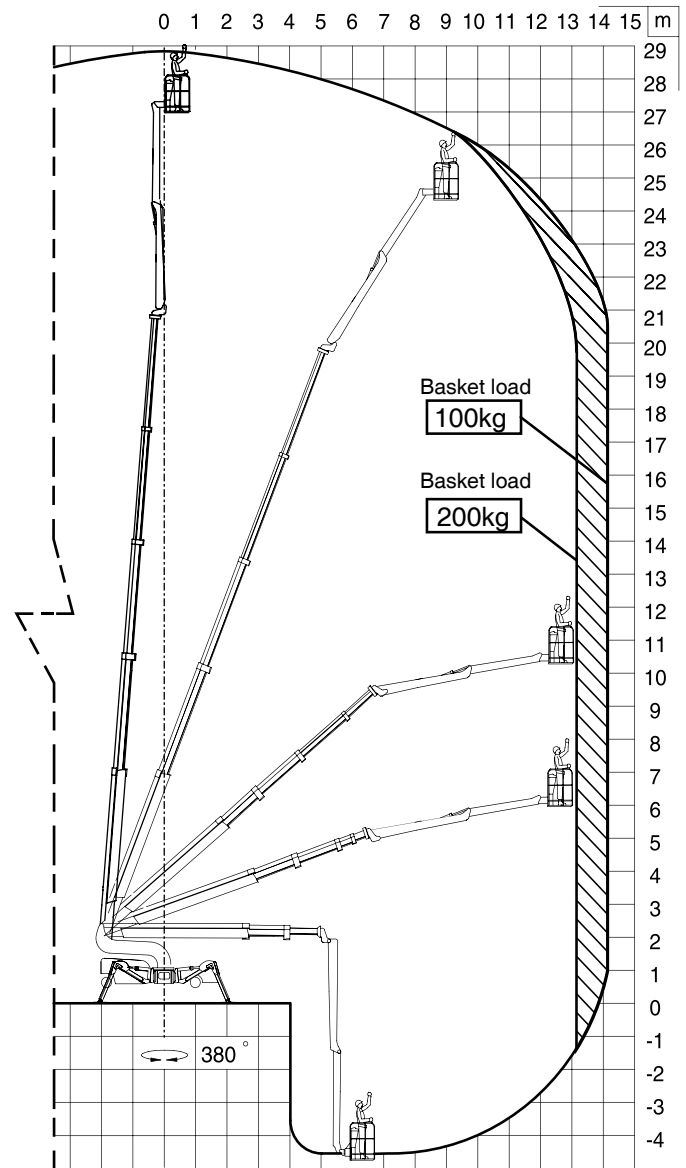
PLUG-IN VOLTAGE



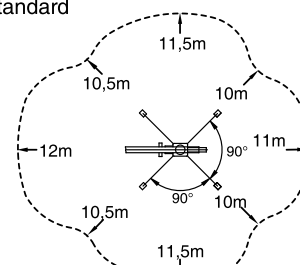
240V, 16Amp
Operates drive and boom functions.

CRANING*

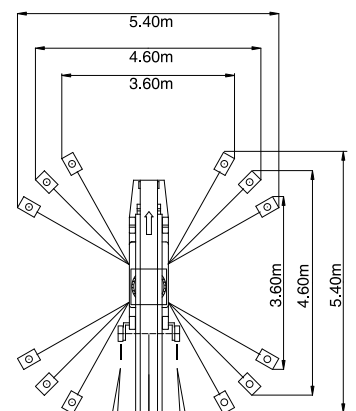
The outriggers need to be placed in the narrow position (not transport position) and the crane should be attached to the fixing points at the outriggers. Length of the lifting chains on the crane should be adjusted to give balance to the Spider, as the centre of gravity is not located in the middle of the outrigger attachment points.



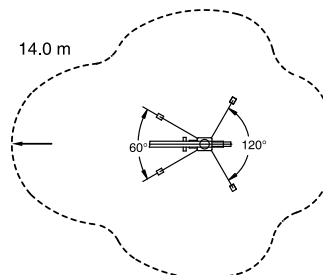
Standard



Basket load = 200kg



Optimized



Basket load = 100kg

*Craning is the same for all Falcon Spider Lifts in this book.