

# Spider FS 320Z

class 29m-33m



## CASE STUDY

Nature of job:

**Indoor light fitting**

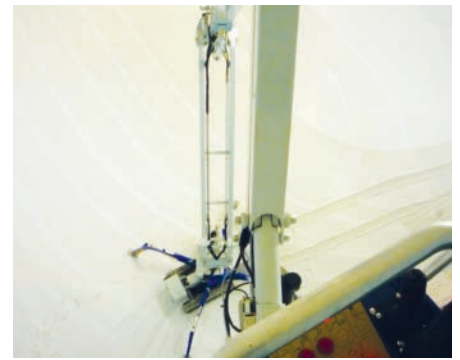
Reason for choosing this Spider Lift:

**Good outreach required, tracked, articulated to clear obstacles**

Lighting on the roof of an indoor snow centre needed to be repaired and replaced.



The articulated FS 320Z provided access to the roof by going up and over a balcony that ran along one side of the centre.



The floor of the centre was sloped but the tracked Spider was able to negotiate this and its non-marking tracks meant the artificial snow wasn't marked. The extendable jib allowed the operator to easily access those hard-to-reach places up high in the snow centre.



Extendable jib

Outreach

Articulated

Non-marking tracks

## KEY FEATURES

- |                     |  |
|---------------------|--|
| Extendable jib:     | Extendable jib gives additional reach.                       |
| Articulated:        | Up and over clearance.                                       |
| Outreach:           | As a telescopic boom this machine has an extensive outreach. |
| Non-marking tracks: | Rubber-free tracks for indoor use.                           |

setup time  
6:30 engine 9:15 battery

WORKING HEIGHT	32.00m
WEIGHT	5,900kg
OUTREACH	16.00m
LENGTH	6.95m
WIDTH	1.10m

we are the access specialists

DNK



# SPECIFICATIONS

Specification		Metric	Imperial
Working Height		32.00m	105ft
Platform Height		30.20m	99ft 1in
Working Outreach		15.00m -16.00m	49ft 3in - 52ft 6in
Slew		380°	-
Width	Max. Travelling	1.10m	3ft 7in
	Max. Working	4.60m	15ft 1in
Length	Working	6.95m	22ft 10in
	Travelling	4.60m	15ft 1in
Height		2.27m	7ft 5in
Minimum Weight		5,900kg	13,010lb
Platform Capacity		200kg	440lb
Platform Size		1.4m x 0.8m x 1.1m	55in x 31in x 43in
Outrigger Plate		0.32m x 0.25m	13in x 10in
Drive Speed		-	-
Maximum Setup Incline		-	-
Gradeability		37% (20°)	-
No. Outrigger Positions		1	-

# FLOOR LOADINGS

Surface	Metric	Imperial
Max. Load per Outrigger	2,753kgf	6,070lbf
Max. Track Surface Pressure (Soft Ground)	0.85kg/cm <sup>2</sup>	1,741lb/ft <sup>2</sup>
Max. Surface Pressure on each Outrigger	3.77kg/cm <sup>2</sup>	7,716lb/ft <sup>2</sup>

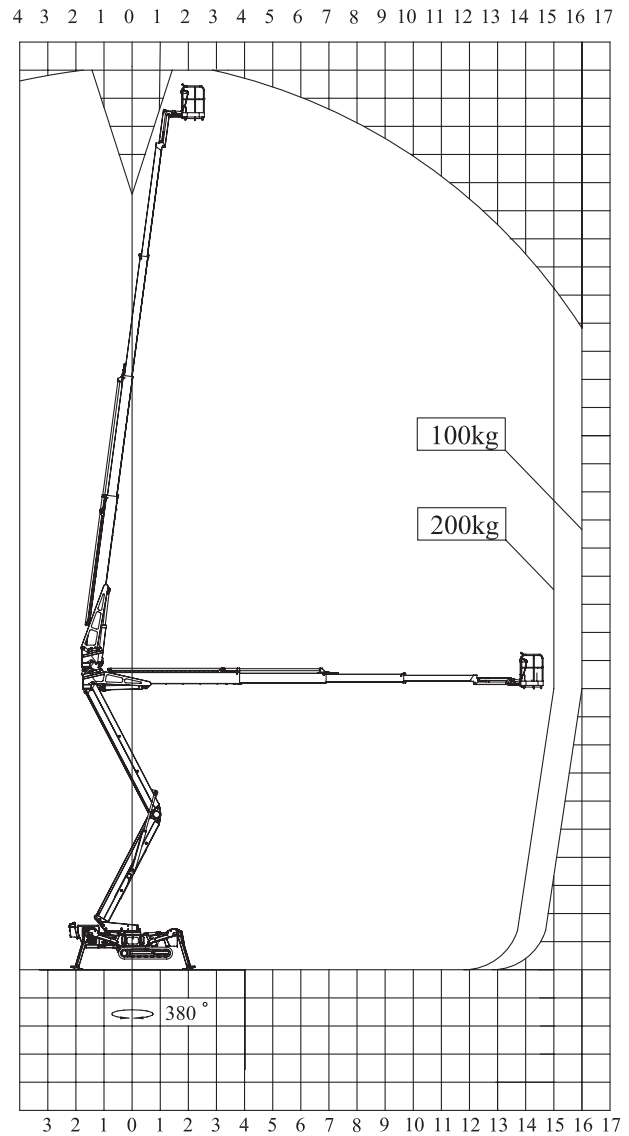
# PLUG-IN VOLTAGE



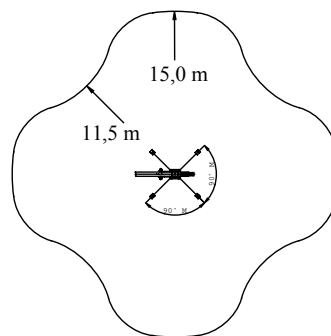
**240V, 16Amp**  
Operates drive and boom functions.

# CRANING\*

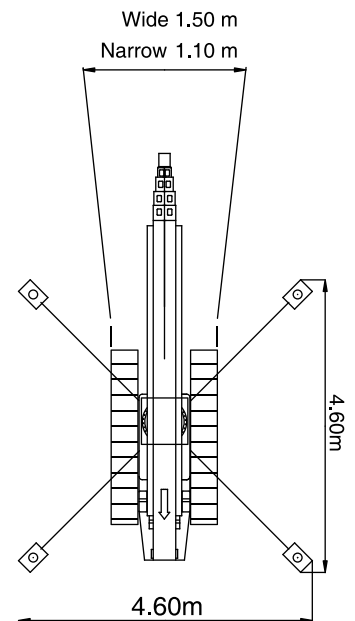
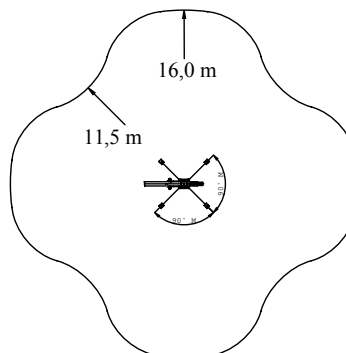
The outriggers need to be placed in the narrow position (not transport position) and the crane should be attached to the fixing points at the outriggers. Length of the lifting chains on the crane should be adjusted to give balance to the Spider, as the centre of gravity is not located in the middle of the outrigger attachment points.



Basket load 200 kg



Basket load 100 kg



\*Craning is the same for all Falcon Spider Lifts in this book.