

Spider FS 330Z

class 29m-33m



CASE STUDY

Nature of job:

Repairing roof lights

Reason for choosing this Spider Lift:

Narrow, articulated, extendable jib

The Spider FS 330Z was used in one of the Easi UpLifts workshops to repair roof lights.



Space was limited in the workshop and the Spider had to be set up between other access machines that were parked indoors. The operator chose the articulated Spider to get up and over a balcony and other obstacles that were in the way.



The jib on the Spider Lift provided additional reach for the operator when working on the roof lights.



Non-marking tracks

Outreach

Extendable jib

Articulated

KEY FEATURES

- | | |
|---------------------|--|
| Extendable jib: | Extendable jib gives additional reach. |
| Articulated: | Up and over clearance. |
| Outreach: | As a telescopic boom this machine has an extensive outreach. |
| Non-marking tracks: | Rubber-free tracks for indoor use. |

WORKING HEIGHT

33.00m

WEIGHT

5,900kg

OUTREACH

19.00m

LENGTH

7.40m

WIDTH

1.10m



setup time

6:30

engine

9:15

battery

SPECIFICATIONS

Specification		Metric	Imperial
Working Height		33.00m	108ft 3in
Platform Height		31.20m	102ft 4in
Working Outreach		16.00m-19.00m	52ft 6in-62ft 4in
Slew		375°	-
Width	Travelling	1.10m	3ft 7in
	Max. Working	5.40m	17ft 9in
	Min. Working	3.60m	11ft 10in
Length	Travelling	7.40m	24ft 3in
	Max. Outrigger	5.40m	17ft 9in
	Min. Outrigger	3.60m	11ft 10in
Height		2.27m	7ft 5in
Minimum Weight		5,900kg	13,007lb
Platform Capacity		200kg	440lb
Platform Size		1.4m x 0.8m x 1.1m	55in x 31in x 43in
Outrigger Plate		0.32m x 0.25m	13in x 10in
Drive Speed		-	-
Maximum Setup Incline		-	-
Gradeability		37% (20°)	-
No. Outrigger Positions		3	-

FLOOR LOADINGS

Surface	Metric	Imperial
Max. Load per Outrigger	2,753kgf	6,070lbf
Max. Track Surface Pressure (Soft Ground)	0.85kg/cm ²	1,741lb/ft ²
Max. Surface Pressure on each Outrigger	3.4kg/cm ²	6,964lb/ft ²

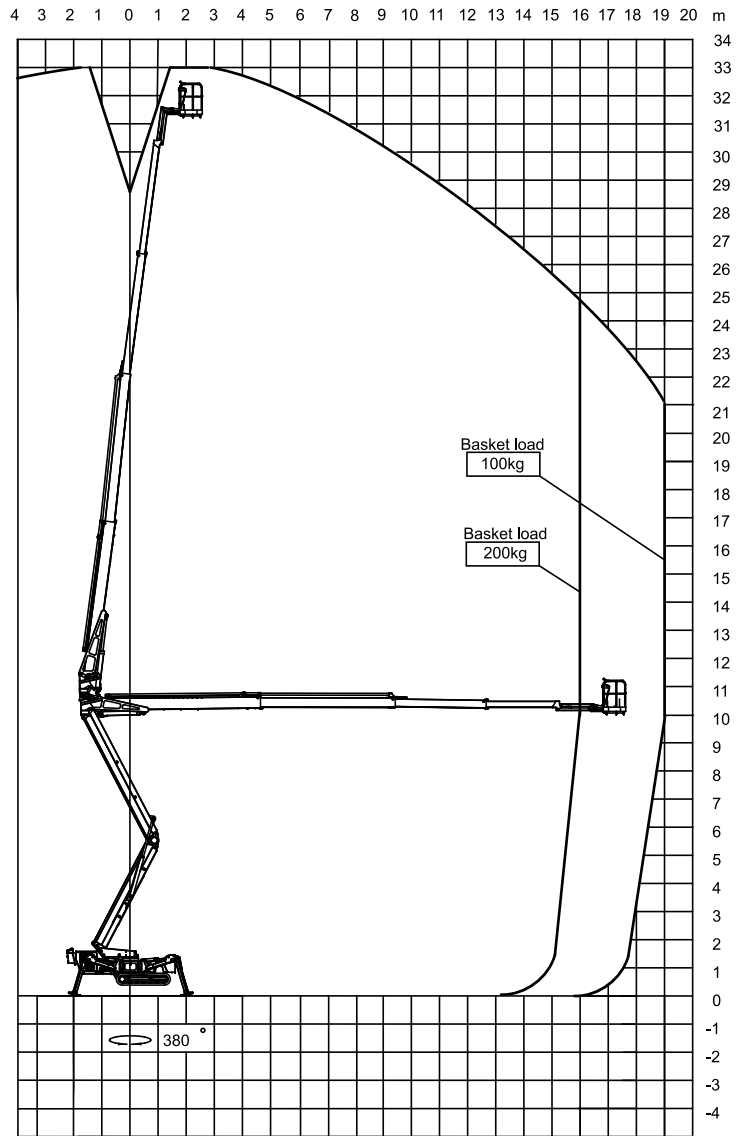
PLUG-IN VOLTAGE



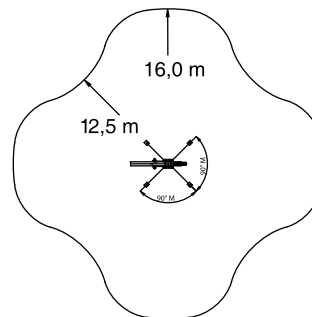
240V, 16Amp
Operates drive and boom functions.

CRANING*

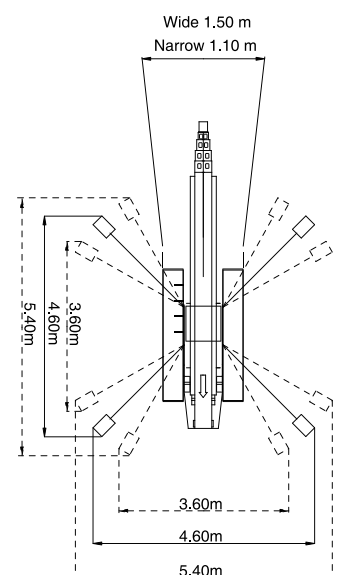
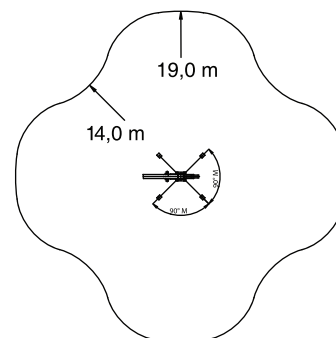
The outriggers need to be placed in the narrow position (not transport position) and the crane should be attached to the fixing points at the outriggers. Length of the lifting chains on the crane should be adjusted to give balance to the Spider, as the centre of gravity is not located in the middle of the outrigger attachment points.



Basket load 200 kg



Basket load 100 kg



*Craning is the same for all Falcon Spider Lifts in this book.