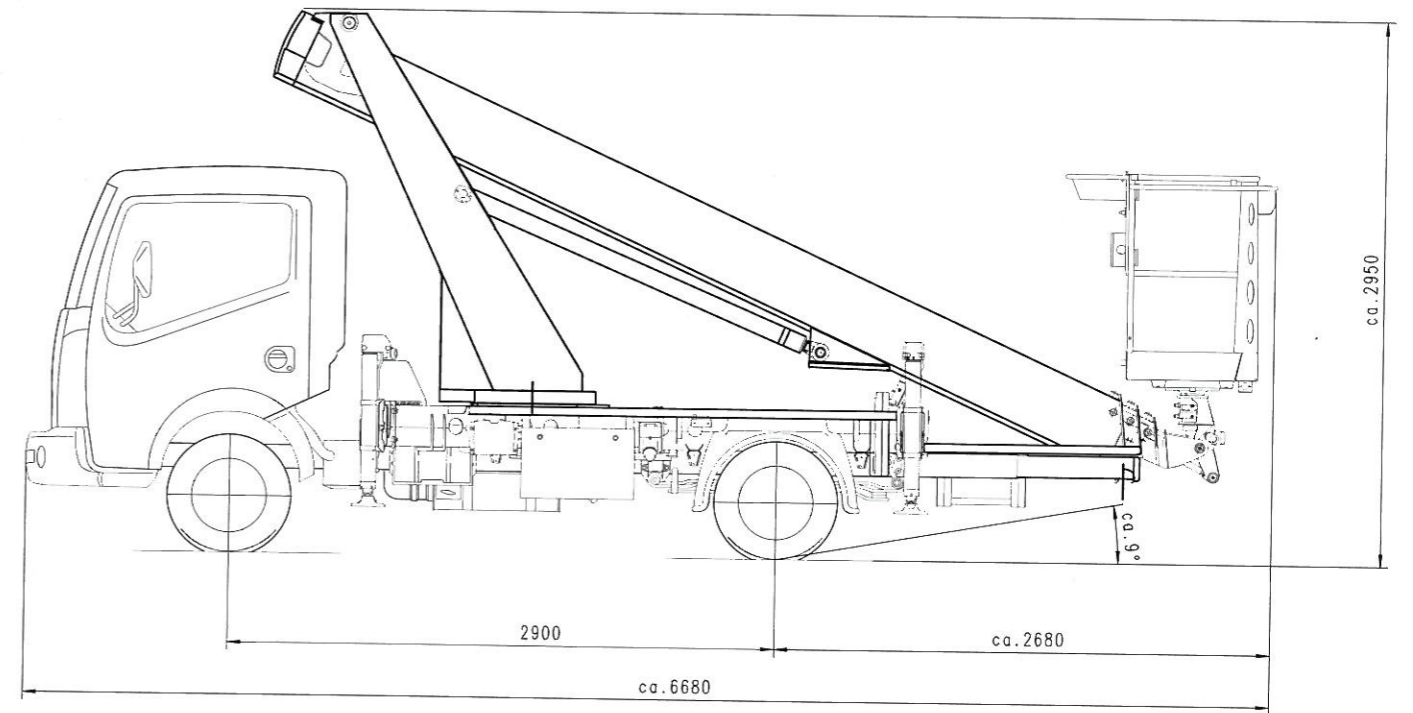


**Technical Data P 220B**

Max. working height	21.9 m
Max. basket floor height	19.9 m
Circular working range with 100 kg basket load	14.2 m
Length in transport position**	6.68 m
Width in transport position**	2.15 m
Height in transport position**	2.95 m
Angle of slope	9°
4 hydraulically extendable outriggers max. stabilizer spread*	3.4 m
4 hydraulically extendable outriggers min. stabilizer spread*	2.15 m

Max. permissible inclination	5°
Slewing range	500°
Design	Extruded aluminum hexagonal tubes
Telescopes in the lifting boom	3
Workman basket (LxWxH)	1.4 x 0.7 x 1.1 m
Hydraulic basket pivot drive: pivoting range	2 x 90°
Max. permissible load	200 kg

\*) stabilizer spread from outer edge to outer edge  
 \*\*) depending on the chassis and the remaining payload



**P 220 B Working range**

